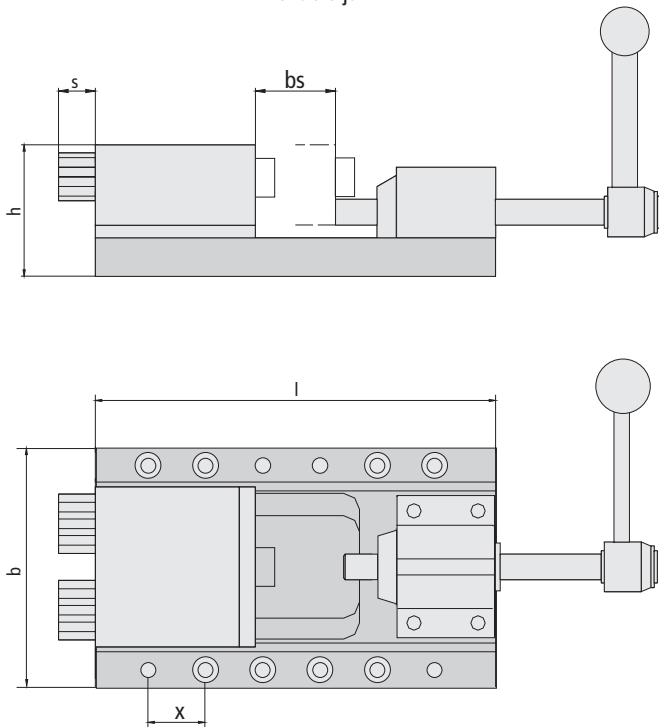
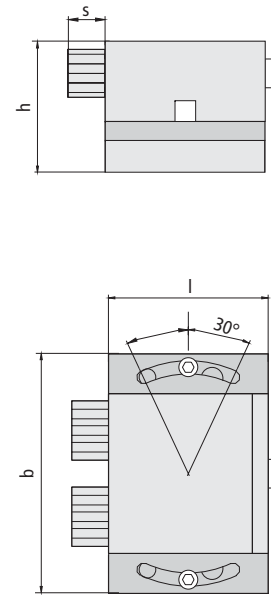


Movable jaw



0001.1004

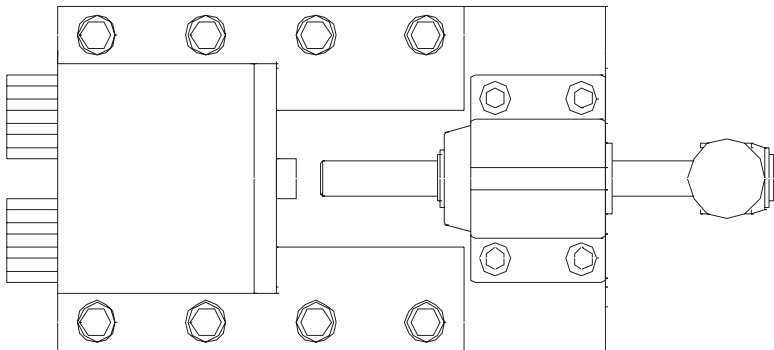
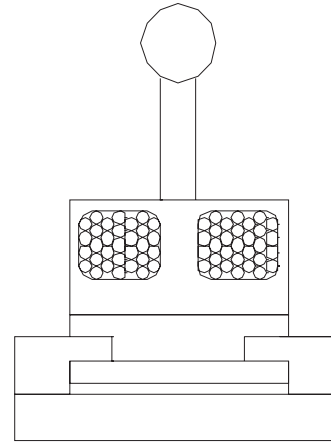
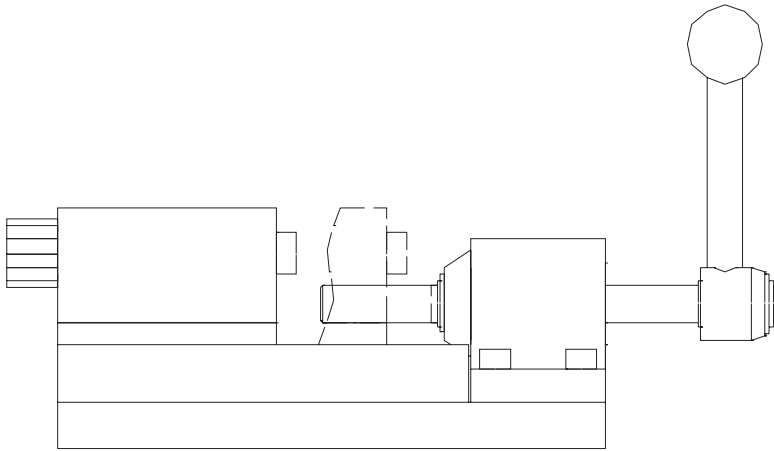
Slueable jaw



0001.1003

Clamping system with adaptive jaws

	OrderNo. 0001.1003	OrderNo. 0001.1004
number of pins	62	62
Stroke s	24	24
l	100	250
h	82	82
b	150	150
bs	-	50
x	-	variable



Clamping System for tensile testing

The X-Clamp Z system is fastened onto the table of the tensile tester

The maximum tensile force can be up to 30.000N

Flexible form fit clamping of test samples for tensile testing